

Y SERIES HOSE REELS

YSWA1220N-DD / YSXA1235N-DD / YSYA1250N-DD / YSZA1290N-DD





WARNING:

Read carefully and understand all INSTRUCTIONS before operating. Failure to follow the safety rules and other basic safety precautions may result in serious personal injury. Save these instructions in a safe place and on hand so that they can be read when required.



WARNING:

The warnings, cautions, and instructions discussed in this instruction manual cannot cover all possible conditions or situations that could occur. It must be understood by the operator that common sense and caution are factors that cannot be built into this product, but must be supplied by the operator.



CAUTION:

Make sure the line pressure does not exceed the rated operating pressure of your model hose reel, refer specifications.



CAUTION:

Exposure of the skin directly to pressurised air or fluid could result in severe bodily injury.



CAUTION:

Before carrying out any maintenance turn off and disconnect the supply line to the reel and carefully release the hose line pressure.

GENERAL SAFETY

1. The following general warnings should be observed when installing, operating or maintaining hose reel equipment.
2. Keep the work area clean and dry. Damp or wet work areas can result in injury.
3. Keep children away from work area. Do not allow children to handle this product.
4. The operator should wear appropriate protection equipment to protect against personal injury.
5. Do not let go of the hose when rewinding.
6. Do not attempt to stop leaks with your hand or body. Caution should be observed against burning due to hot water temperature when using hot water reels.
7. Use reel in well ventilated areas if toxic or flammable fluids are in use.
8. Do not exceed the maximum working pressure for this reel. (Refer to the Technical Details)
9. Only use compatible fluids with this reel. (Refer to compatible fluids in the Technical Details)
10. Use the right tool for the job. Do not attempt to force small equipment to do the work of larger industrial equipment. There are certain applications for which this equipment was designed. It will do the job better and more safely at the capacity for which it was intended. Do not modify this equipment, and do not use this equipment for a purpose for which it was not intended.
11. Check for damaged parts. Before using this product, carefully check that it will operate properly and perform its intended function. Check for damaged parts and any other conditions that may affect the operation of this product. **DO NOT** use damaged equipment.
12. Before attempting any maintenance disconnect and turn off supply line, then release the line pressure.
13. Do not overreach. Keep proper footing and balance at all times to prevent tripping, falling, back injury, etc.
14. Do not use the equipment when tired or under the influence of drugs, alcohol, or medication. A moment of inattention while operating this equipment may result in serious personal injury.

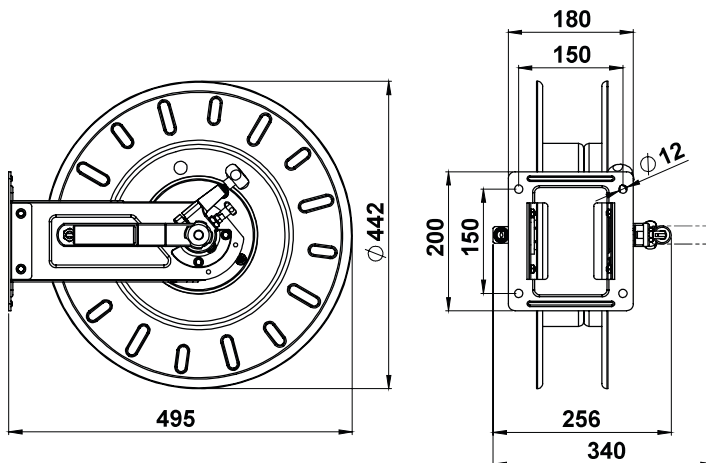
TECHNICAL DETAILS

SPECIFICATIONS

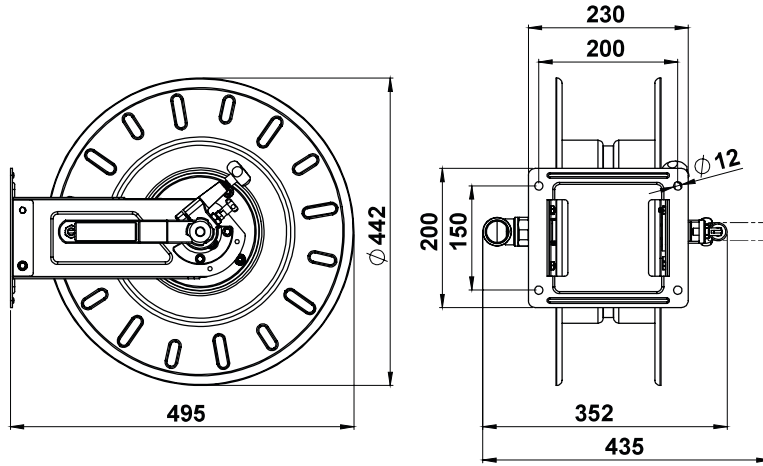
Part Number	YSWA1220N-DD	YSXA1235N-DD	YSYA1250N-DD	YSZA1290N-DD
Compatible Fluids	Air / Water / Oil			
Hose Size (ID)	1/2" (12.7mm)			
Hose Length Capacity	20m	35m	50m	90m
Reel Inlet	1/2" BSPT (M)			
Reel Outlet	1/2" BSPP (M)			
Working Pressure (Maximum)	5,800 psi			
Temperature (Maximum)	150°			
Reel Body Material	Stainless Steel (304 Grade)			
Seal Material	Viton-PTFE			
Weight:	9kg	10kg	11kg	15kg

DIMENSIONS

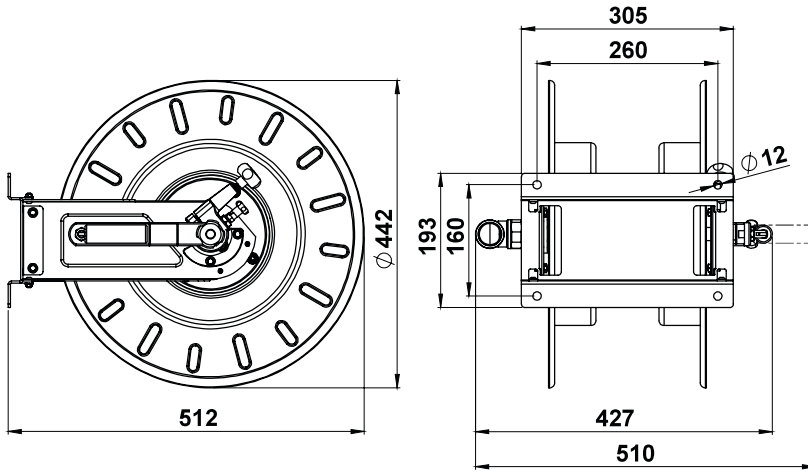
YSWA1220N-DD



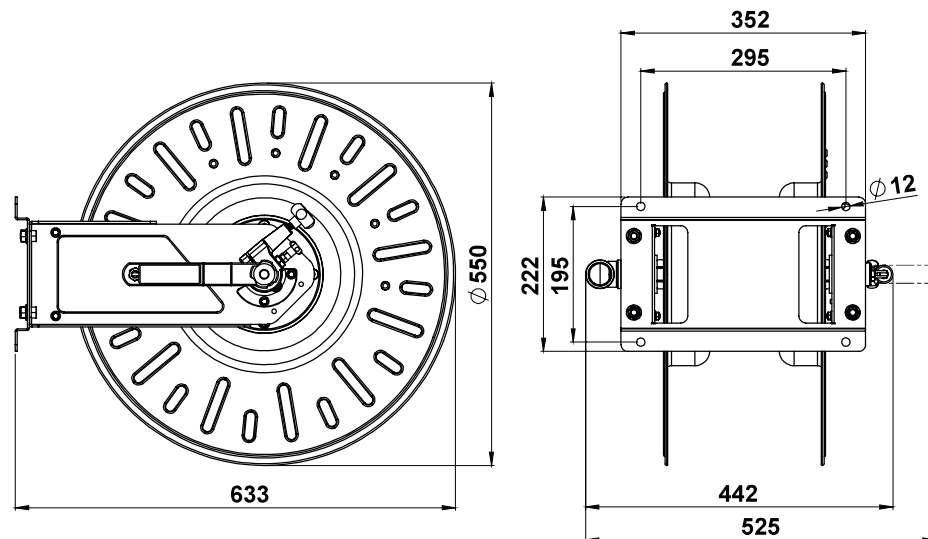
YSXA1235N-DD



YSYA1250N-DD



YSZA1290N-DD



INSTALLATION PROCEDURE

MOUNTING OF THE HOSE

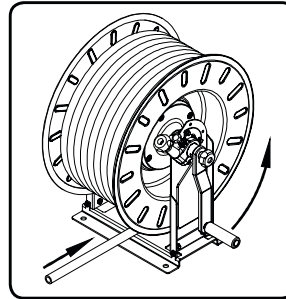
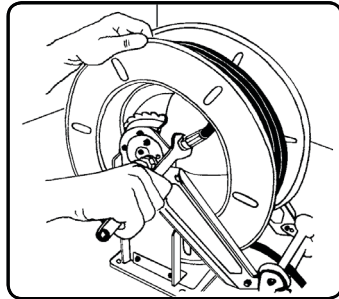


IMPORTANT:

Use a hose with suitable dimension, pressure, temperature and fluid compatibility.

Water 5,800 psi is recommended to be used with an EN857 2SC hose and F.90° ½" BSPP fitting.

1. Fix the hose reel to the bench.
2. Feed the hose between the hose guide (optional), connect it to the fitting which is inside the drum and tighten with a suitable wrench.
3. Manually rotate the drum to completely wind the hose onto the reel.



INSTALLATION



IMPORTANT:

Any installation should be carried out by a suitably qualified person, carefully following the information provided in this manual.

1. Check the packaging on receipt of the goods and only store in a dry place. Verify the reel has not been damaged during transport or storage.
2. Consider the hose reel dimensions and weight. A lifting device may be required. It is possible for the reel to be mounted on the floor or on other machines as an accessory, in these cases the reel must be mounted to a fixed support.
3. If using the reel hose guide accessory, refer to the "Mounting of Hose Guide" section for assembly instructions.
4. Using the four holes in the base, mount the reel in the desired location with 4 x 10mm fasteners suitable for your mounting surface material. Be sure to use appropriate hardware and tighten securely.

CONNECTION



IMPORTANT:

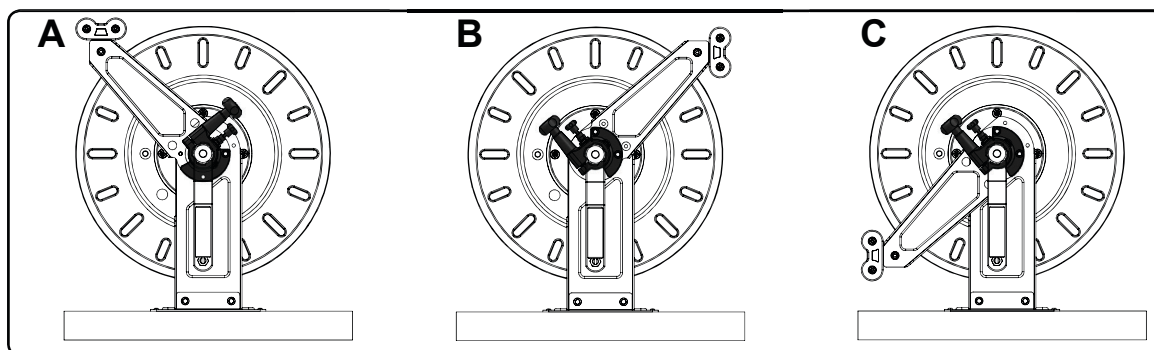
Always connect the hose reel to the supply line with hose and couplers suitable for the fluid, pressure and temperature.

1. Ensure a ball tap is installed to the supply line prior to connection. This will make maintenance easier and can act as a safety valve in dangerous situations.
2. Apply Teflon tape or pipe sealant to the supply line threads, attach to reel inlet and tighten. The other end of incoming line can now be connected to desired supply source.
3. Apply Teflon tape or pipe sealant to outlet fitting on reel hose, then attach to desired tool, or nozzle. Check connection for leakage, also check hose reel for correct operation. (See Operation Section.)

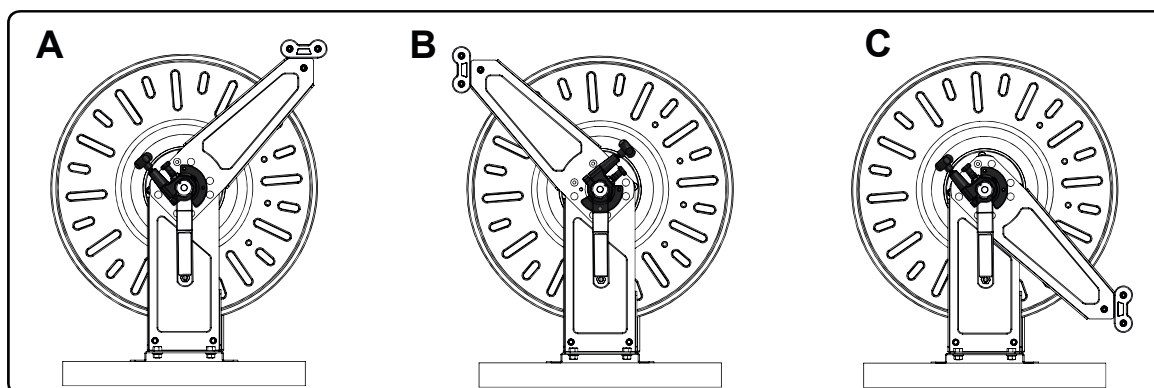
MOUNTING OF HOSE GUIDE (OPTIONAL)

The reel hose guide can be fixed in three different positions according to the hose reel installation.

YSW / YSX / YSY

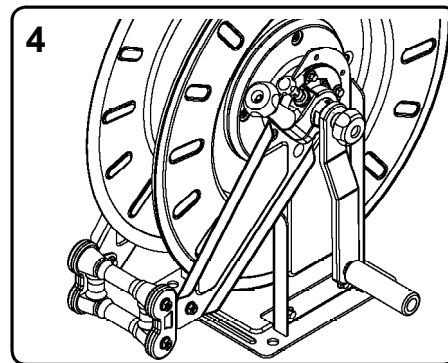
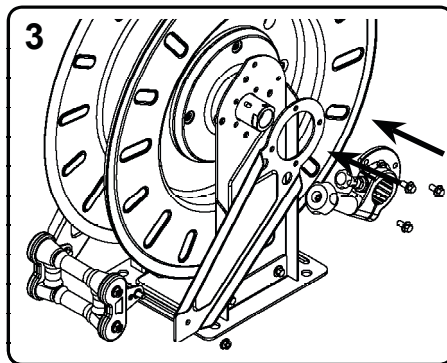
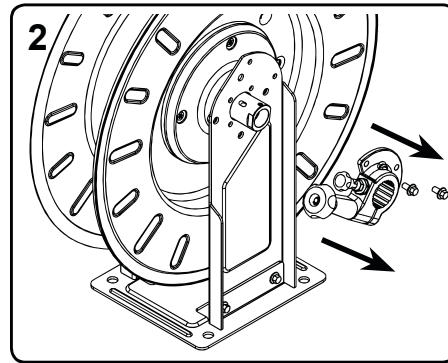
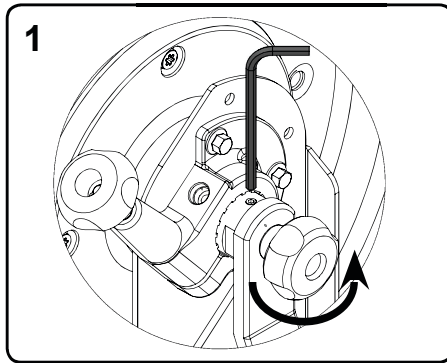


YSZ



MOUNTING OF HOSE GUIDE (OPTIONAL) - CONTINUED

1. Fix the hose reel to the bench.
2. Unscrew the handle assembly knob so that it is in the neutral position, unscrew the grub screw on the pin and pull off the handle assembly.
3. Unscrew the clutch fixing screws and remove the clutch from the shaft.
4. Mount the first arm on the swivel joint side. Mount the 4-roller hose guide on the arm. Mount the second arm on the side of the handle and fix it to the 4-roller hose guide. Reassemble the clutch on the shaft, checking the orientation according to the position of the arms (see figures above).
5. Reassemble the handle assembly by screwing the grub screw on the linchpin and knob.



MOUNTING OF THE REEL LOCKING PIN (OPTIONAL)

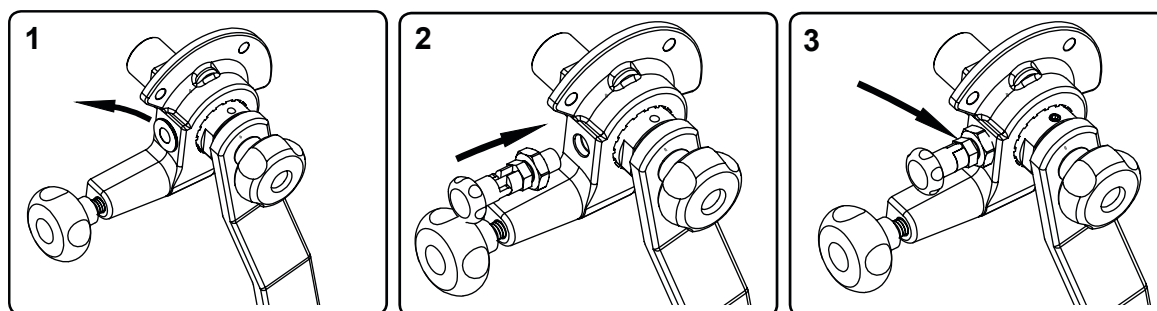
The reel locking pin allows the drum to be locked.

1. Remove the protective cap from the clutch housing.
2. Pull the locking pin knob and lock it by turning it 90° to the open position so that the sliding pin remains inside the outer housing.
3. Using a 12 mm spanner, screw the pusher into the seat on the hub up to the mechanical stop. Unscrew it by half a turn and then tighten the nut on the flange with a size 17 mm spanner.
4. To activate the locking pin, pull the locking pin knob and turn it 90° to the closed position.



CAUTION:

Test the correct function of the locking pin in both positions.



OPERATION

UNWINDING THE HOSE REEL

1. Release the reel by pulling the locking pin knob and turning it 90° (optional accessory).
2. Ensure the manual crank handle knob is released and the handle is in a neutral position by unscrewing the knob anti-clockwise.
3. Carefully pull the hose out by hand, adjusting the resistance against the hose using the clutch knob.

WINDING THE HOSE REEL

1. Fold down the hose reel handle.
2. Fix the manual crank handle into position by screwing the crank handle knob clock-wise.
3. Wind the hose reel using the manual crank handle.



CAUTION:

Always hold and drive the hose while rewinding it, in order to avoid damage to the machine, injuries to people or to surrounding objects.

4. Periodically check the hose condition for wear or damage and check the swivel fitting for leakage. Replace any worn, damaged, or leaking parts.

MAINTENANCE



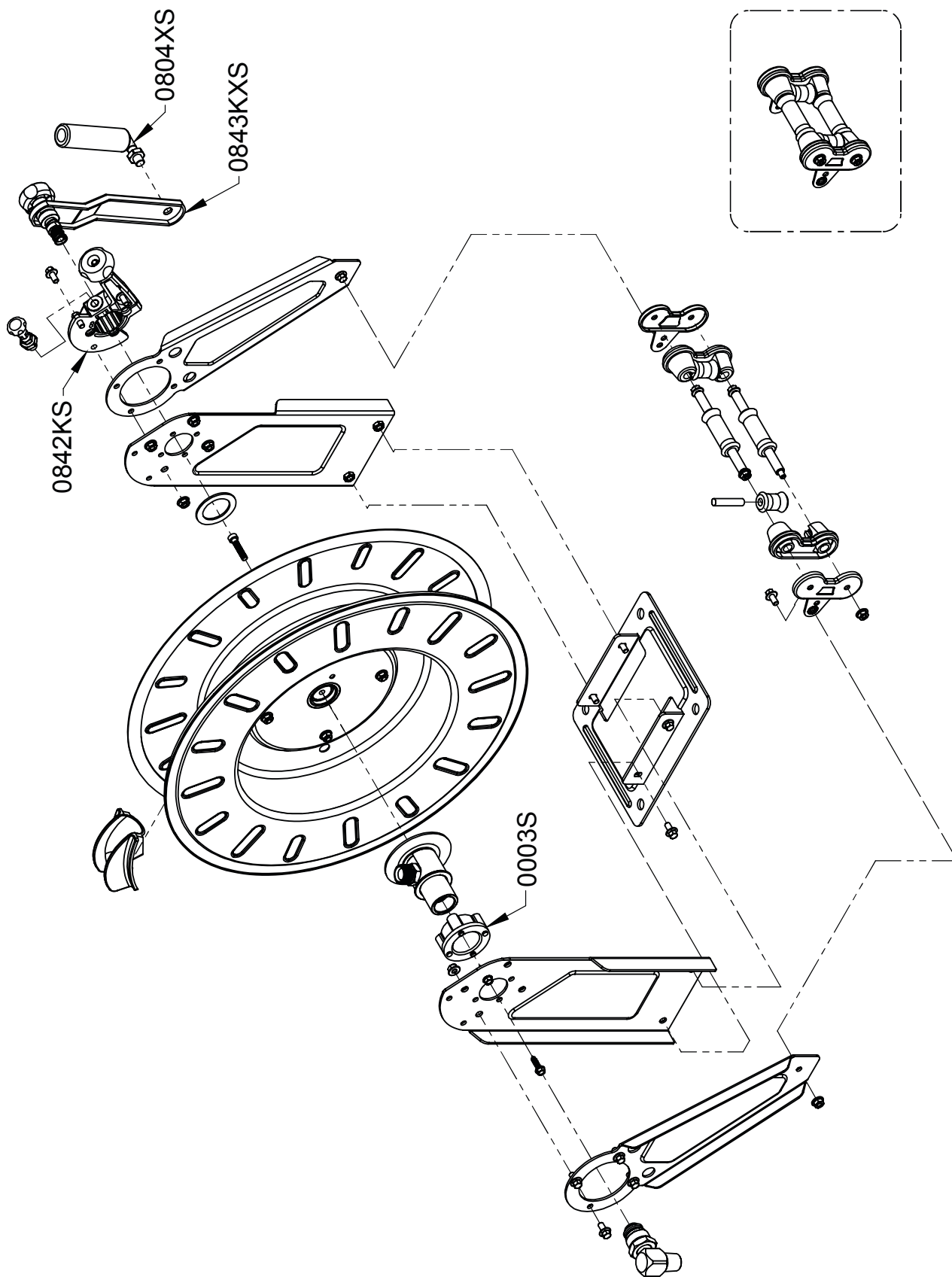
IMPORTANT:

Any maintenance should be carried out by a suitably qualified person, carefully following the information provided in this manual.

1. Always close the supply of fluid to the machine before carrying out any maintenance on it.
2. Replace the flexible hose as soon as it shows any sign of wear and tear or of deterioration due to the different conditions of the environment. We advise you to replace it every 12 months.
3. Replace the seal inside the revolving joint in case of losses due to wear and tear.
4. Any replacement of hose reel parts should be done using original spare parts (see the spare parts list).
5. We advise you to contact Macnaught for any possible anomaly and before replacing any part.
6. After every maintenance operation, replace every protection that has been removed.

EXPLODED PARTS DIAGRAMS

YSWA1220N-DD



SAFETY

TECHNICAL
DETAILS

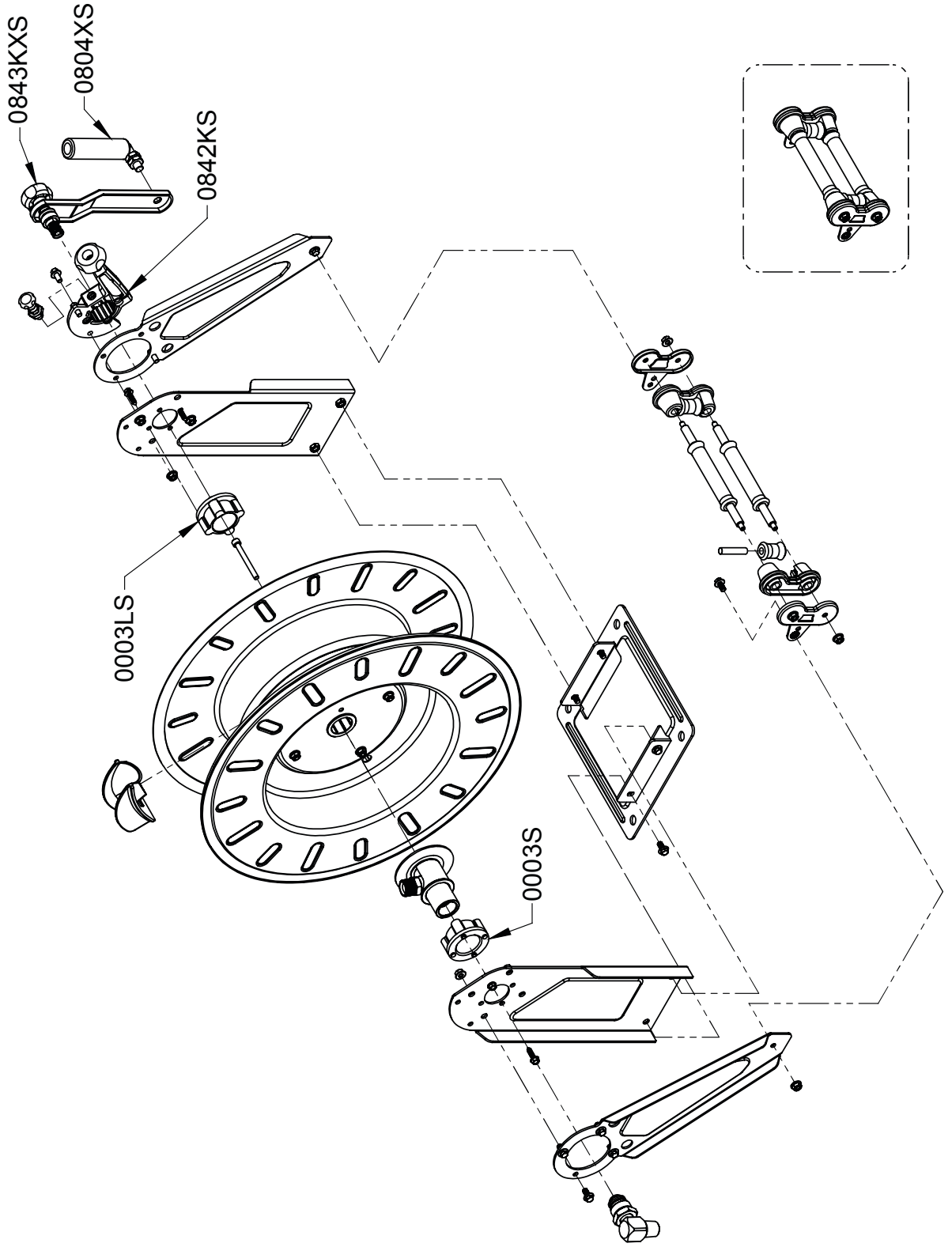
INSTALLATION

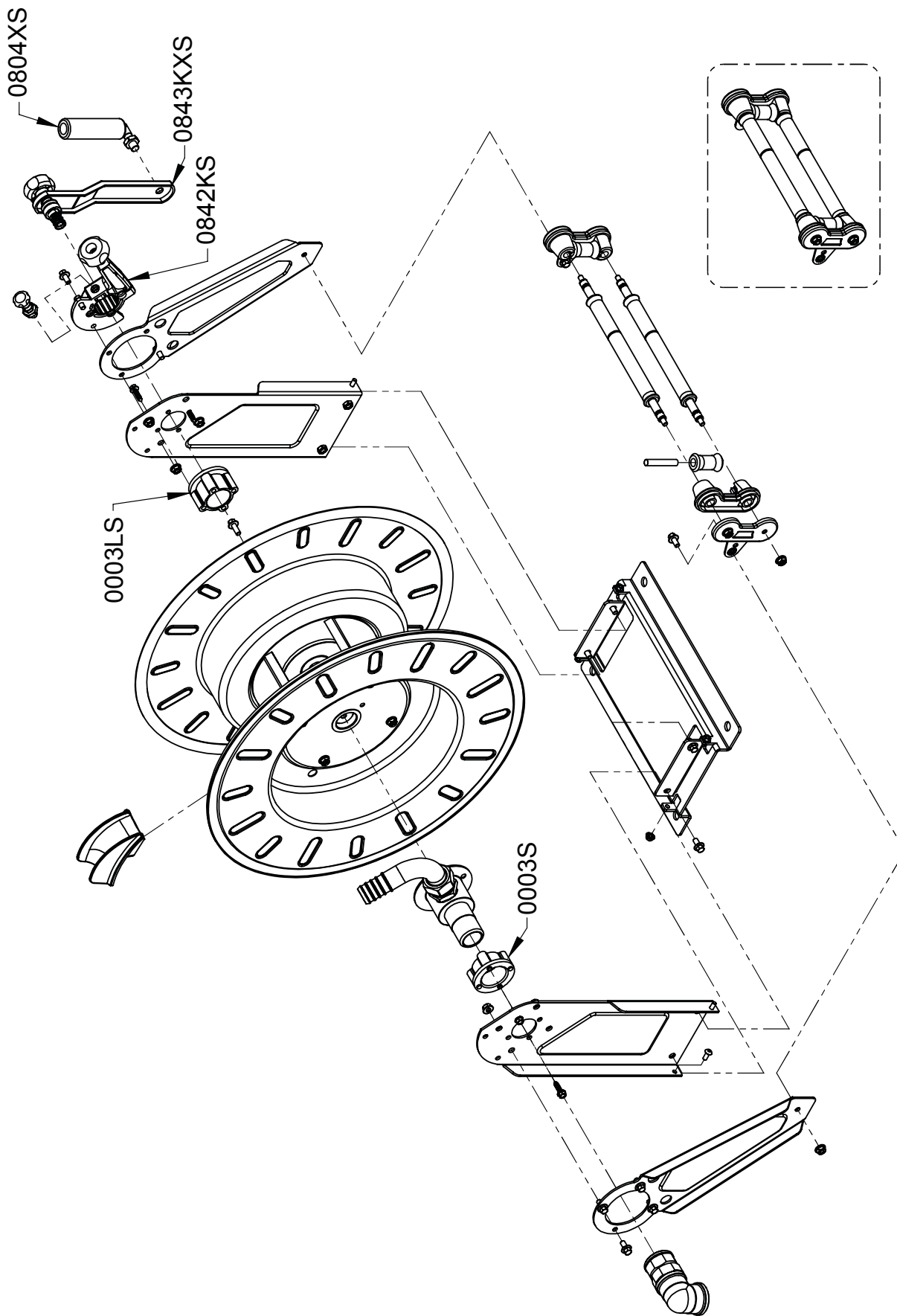
OPERATION

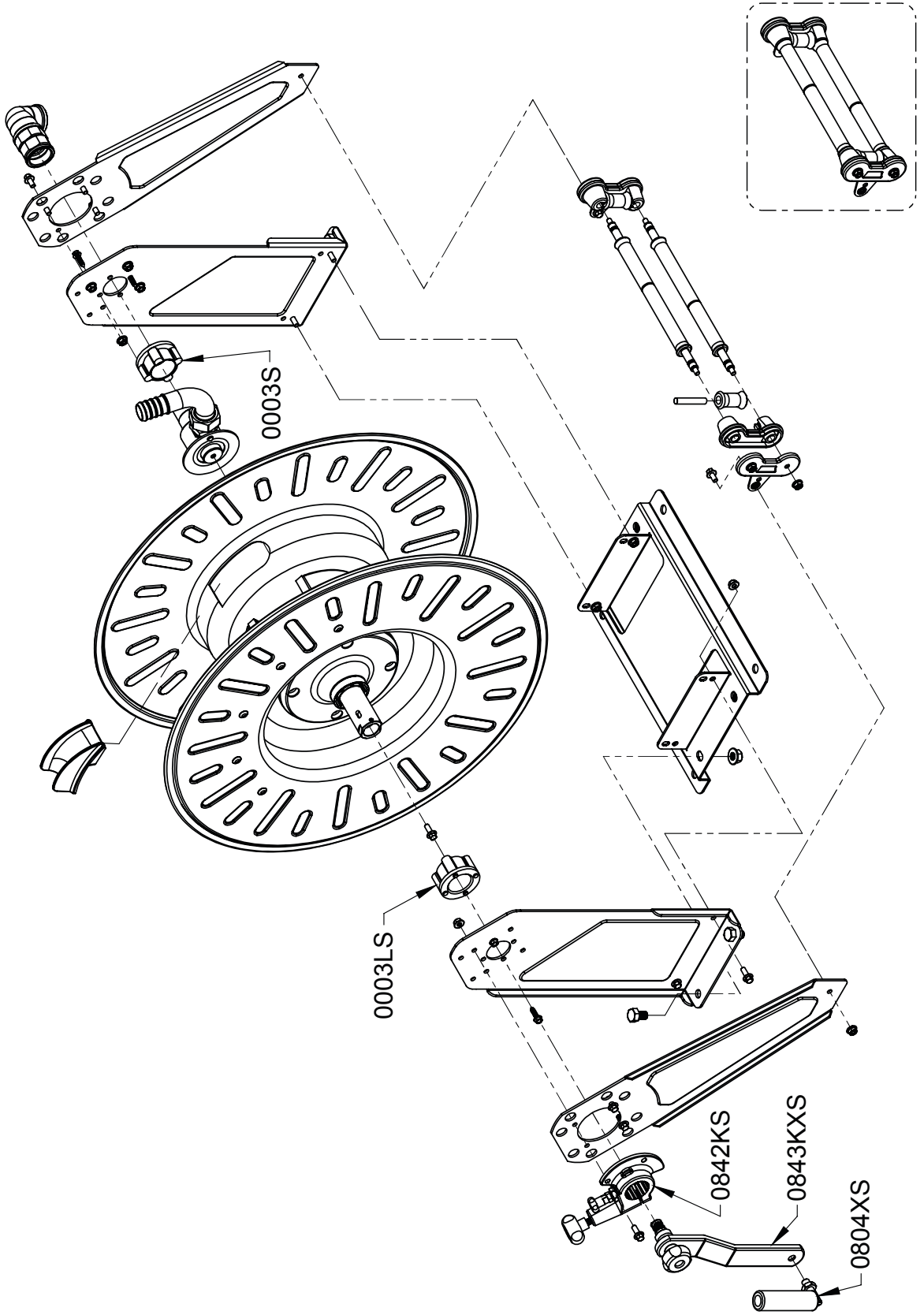
MAINTENANCE

TROUBLESHOOTING

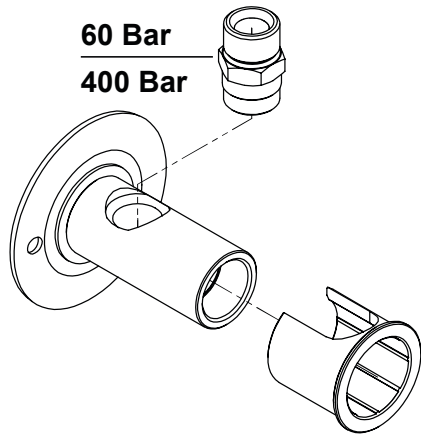
LIMITED WARRANTY





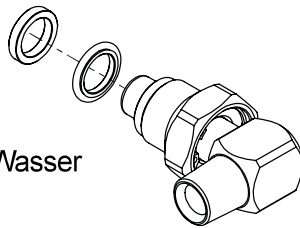


SWIVEL JOINT EXPLODED PARTS DIAGRAMS



1/2" 400 Bar

0238XVS:
Acqua-Water-Eau-Wasser
(150°C Max.)



SPARE PARTS

Part No.	Description
0238XVS	S/STEEL COMPLETE SWIVEL - HP. 1/2" M X 16 S/S VITON/PTFE
0003S	NYLON SHAFT D.32
0003LS	NYLON SHAFT D.32 L=31
0842KS	MANUAL CLUTCH SUPPORT
0843KXS	MANUAL HANDLE CRANK ARM KIT
0804XS	FOLDABLE HANDLE KIT

LIMITED WARRANTY

For Warranty Terms and Conditions see macnaught.com.au / macnaughtusa.com.
For a list of Australian Service Centres see macnaught.com.au.



Macnaught
1800 185 102 | sales@macnaught.com.au

Macnaught Americas
(813) 628-5506 | info@macnaughtusa.com



This product should be disposed of according to all applicable local and national government environment regulations and guidelines.